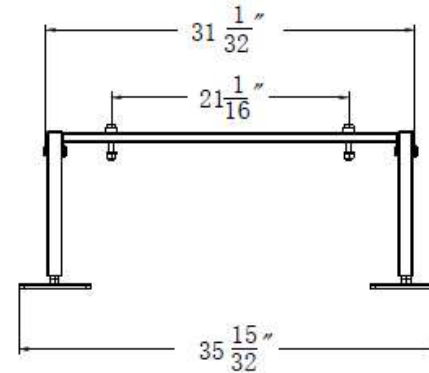
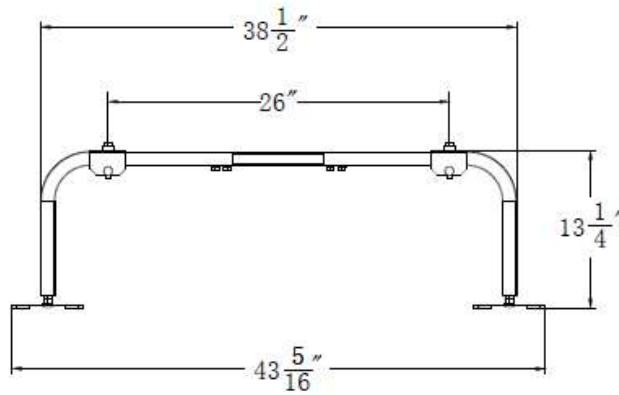


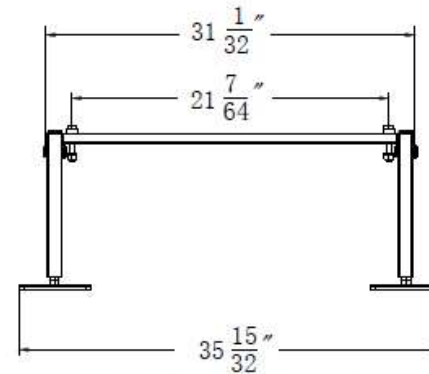
**SIDE VIEW RETRACTED**



**END VIEW RETRACTED**



**SIDE VIEW EXPANDED**



**END VIEW EXPANDED**

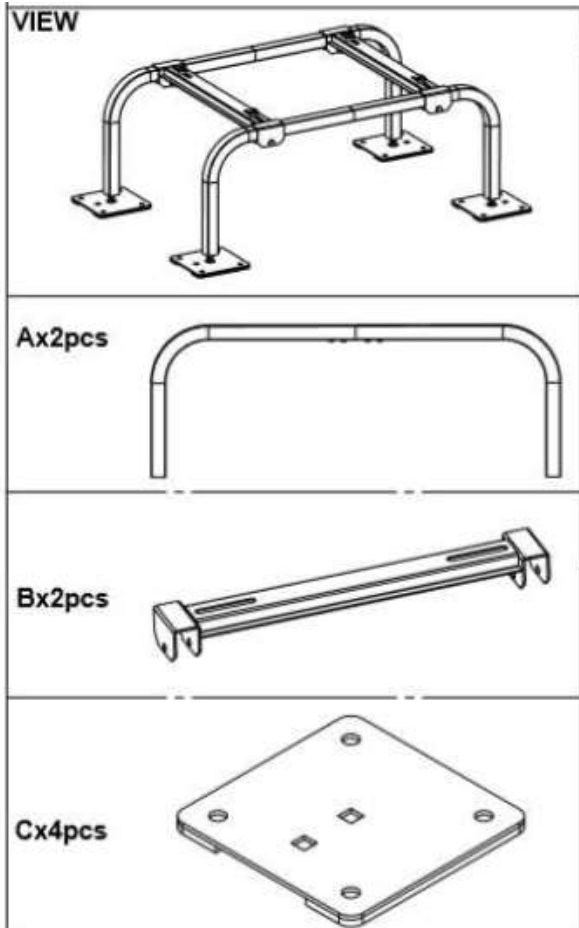
(\*)- WIDTH IS ADJUSTABLE IN 1" INCREMENTS

IMPORTANT NOTE: THE INSTALLER IS RESPONSIBLE FOR THETHERING AND BOLTING UNITS TO WITHSTAND WIND AND/OR SEISMIC LOADS.

UNLESS OTHERWISE SPECIFIED:  
 DIMENSIONS ARE IN INCHES (MILLIMETERS)  
 TOLERANCES ARE: ANGLES ±1.0°  
 FRACTIONAL SIZES XXV ±1/64  
 INCHES (MILLIMETERS)  
 .X = ±0.1 [X = ±0.25]  
 .XX = ±0.01 [X = ±0.13]  
 .XXX = ±0.005 [XX = ±0.13] THIRD ANGLE PROJECTOR

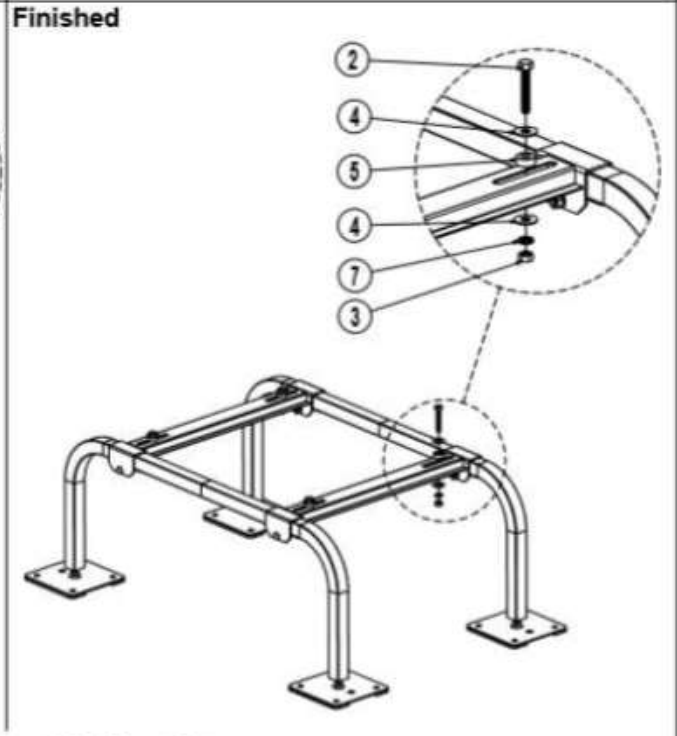
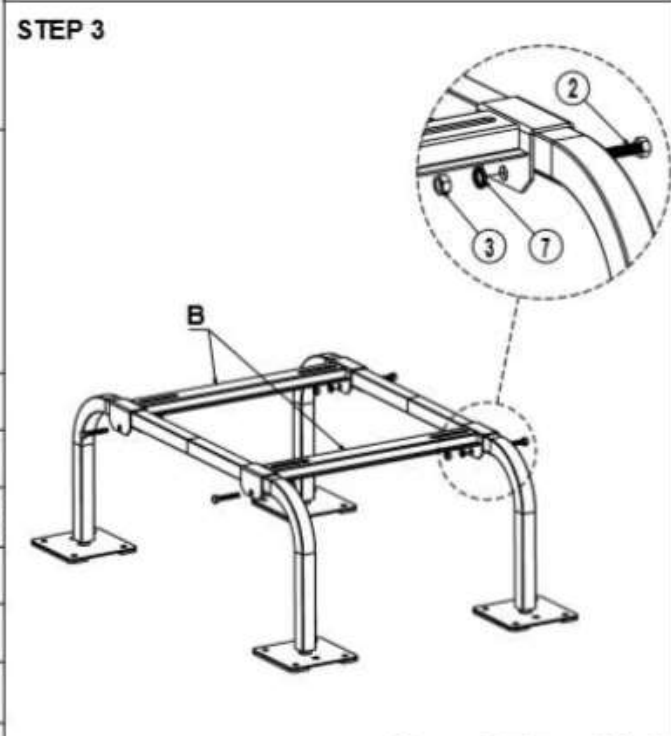
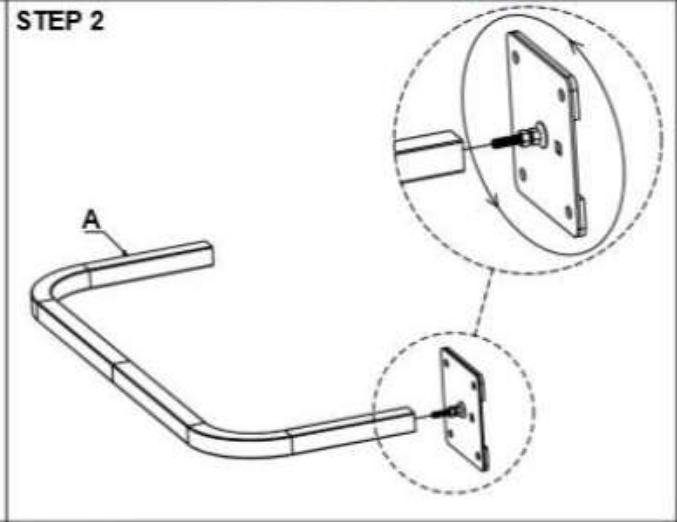
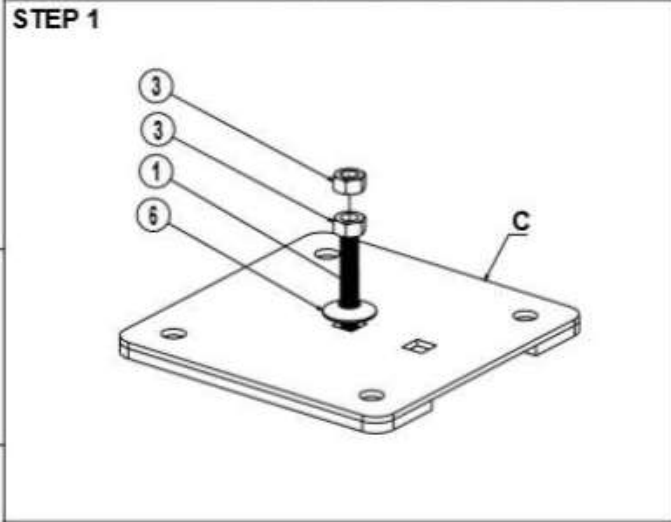


DWG. No:  
 MINI SPLIT STAND -1202  
 IBEX 1202



1	Carriage bolt M10x50		x4
2	Hex bolt M10x50		x8
3	Nut		x16
4	Washer M10		x8
5	Rubber washer M10		x4
6	Rubber bonded washer M10		x4
7	Lock washer		x8

**ASSEMBLY INSTRUCTION** Model: 1201, 1202, 1204



Note : Tighten all bolts to 85 ft/lbs. of torque