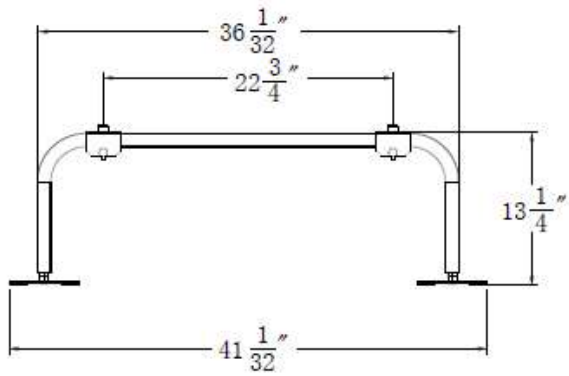
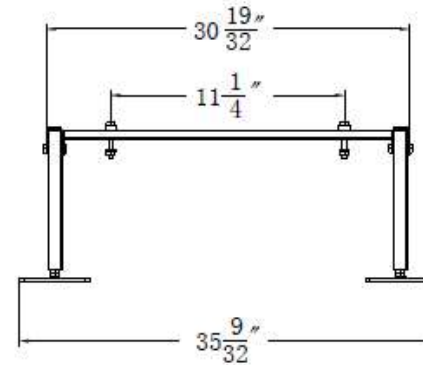


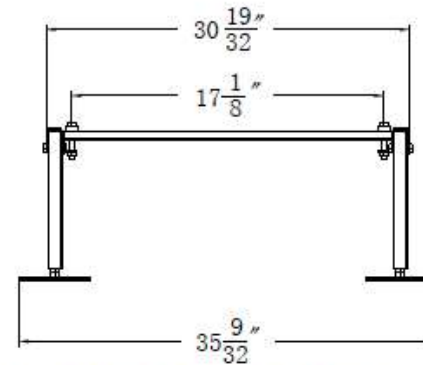
**SIDE VIEW RETRACTED**



**SIDE VIEW EXPANDED**



**END VIEW RETRACTED**



**END VIEW EXPANDED**

(\*)- WIDTH IS ADJUSTABLE IN 1" INCREMENTS

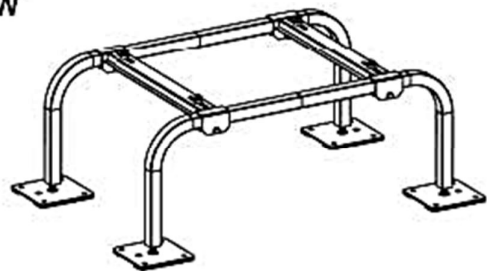
IMPORTANT NOTE: THE INSTALLER IS RESPONSIBLE FOR THETHERING AND BOLTING UNITS TO WITHSTAND WIND AND/OR SEISMIC LOADS.

UNLESS OTHERWISE SPECIFIED:  
 DIMENSIONS ARE IN INCHES (MILLIMETERS)  
 TOLERANCES ARE: ANGLES ±1°  
 FRACTIONAL SIZES 3/32" & 1/8"  
 INCHES (MILLIMETERS)  
 X = ±0.1 [X = ±2.5]  
 XX = ±0.01 [X = ±1.3]  
 XXX = ±0.005 [XX = ±0.13] THIRD ANGLE PROJECTION



DWG. NO:  
 MINI SPLIT STAND -1202AL  
 IBEX 1202AL

**VIEW**



**ASSEMBLY INSTRUCTION**

**Model: 1201 , 1202, 1204**

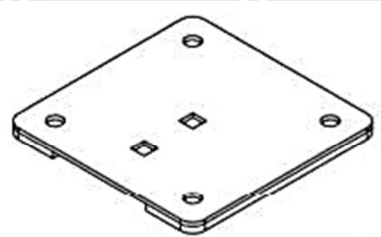
**Ax2pcs**



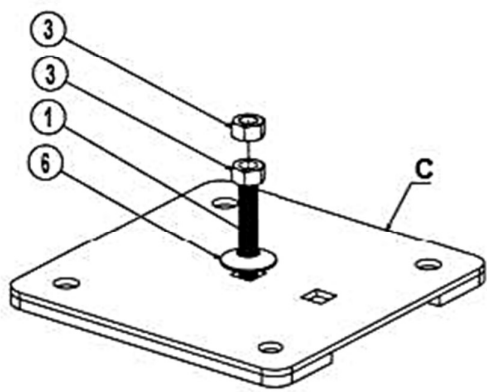
**Bx2pcs**



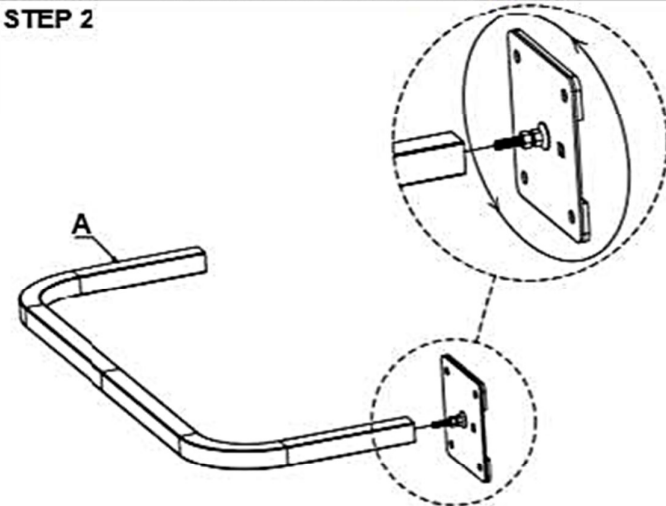
**Cx4pcs**



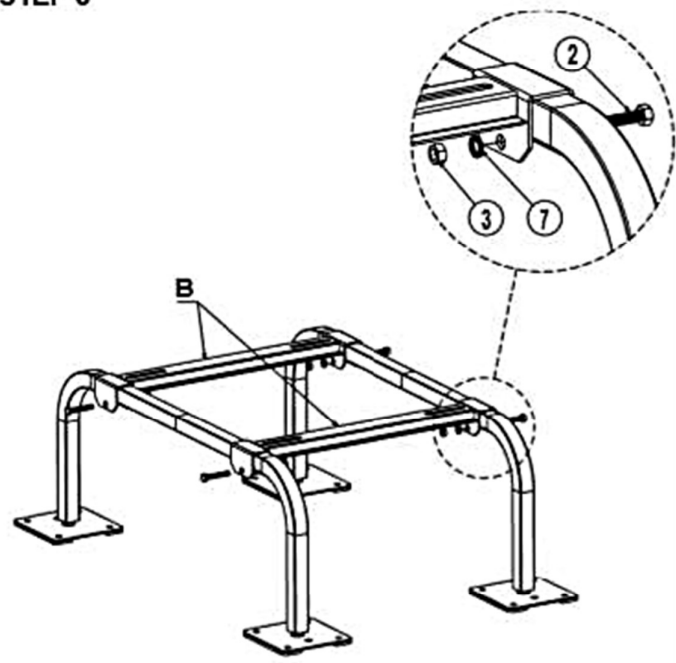
**STEP 1**



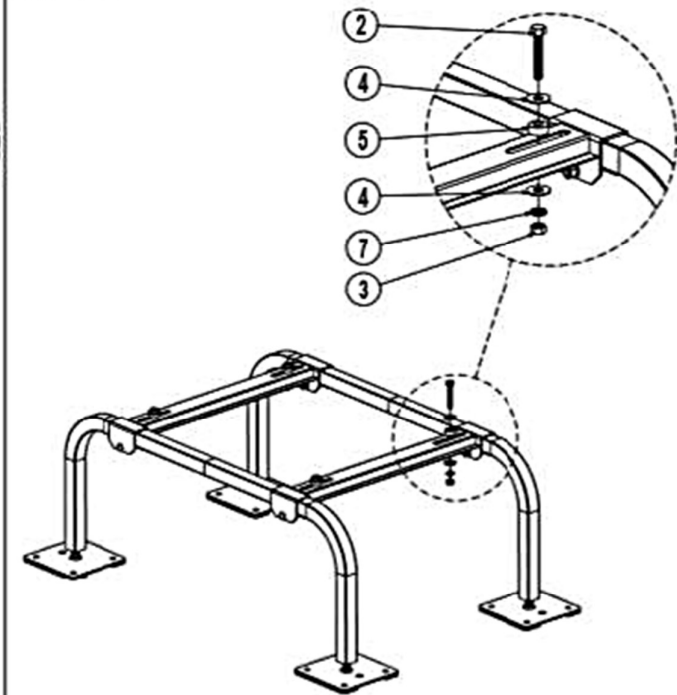
**STEP 2**



**STEP 3**



**Finished**



1	Carriage bolt M10x50		x4
2	Hex bolt M10x50		x8
3	Nut		x16
4	Washer M10		x8
5	Rubber washer M10		x4
6	Rubber bonded washer M10		x4
7	Lock washer		x8

**Note : Tighten all bolts to 85 ft/lbs. of torque**