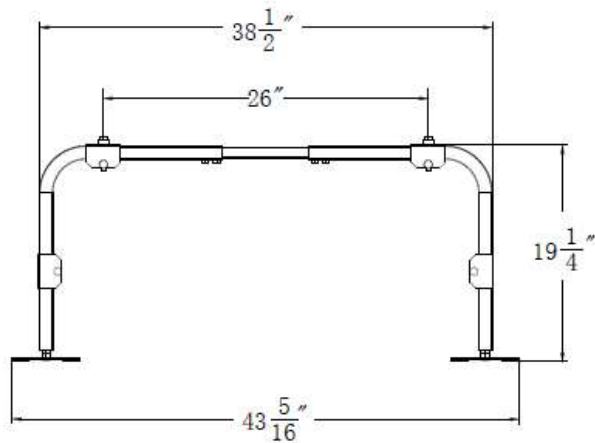
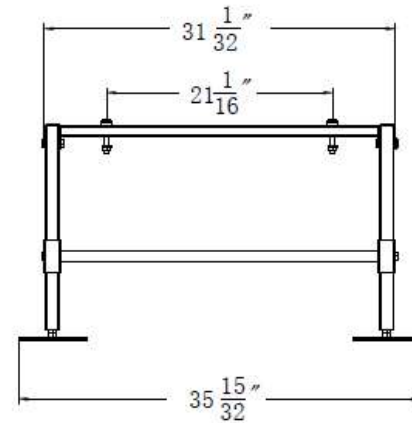


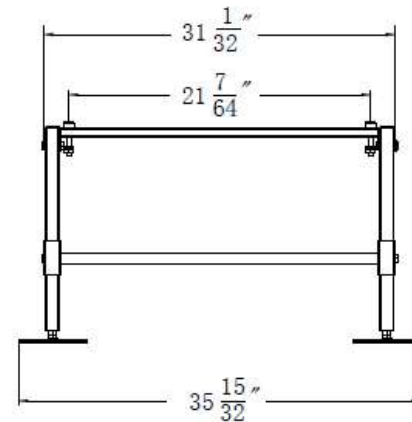
SIDE VIEW RETRACTED



SIDE VIEW EXPANDED



END VIEW RETRACTED



END VIEW EXPANDED

(*)- WIDTH IS ADJUSTABLE IN 1" INCREMENTS

IMPORTANT NOTE: THE INSTALLER IS RESPONSIBLE FOR TETHERING AND BOLTING UNITS TO WITHSTAND WIND AND/OR SEISMIC LOADS.

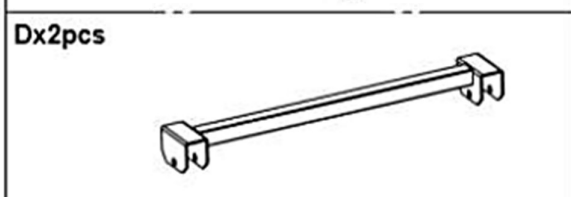
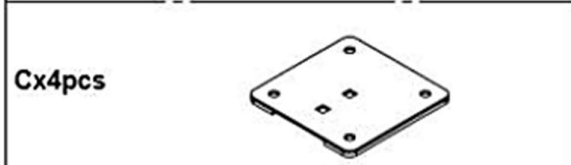
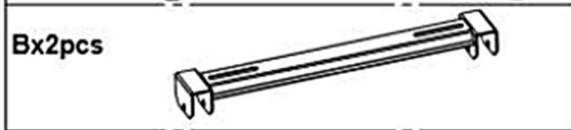
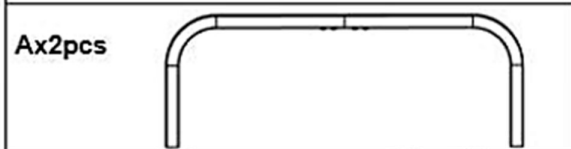
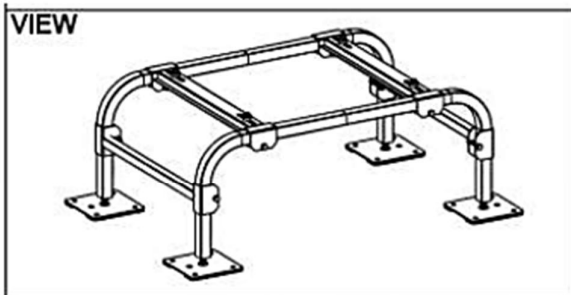
UNLESS OTHERWISE SPECIFIED:
 DIMENSIONS ARE IN INCHES (MILLIMETERS)
 TOLERANCES ARE: ANGLES ±1.0°
 FRACTIONAL SIZES XY ±.004
 INCHES [MILLIMETERS]
 .X = .01 [X = ±.25]
 .XX = .001 [X = ±.13]
 WWW.IBEX.COM



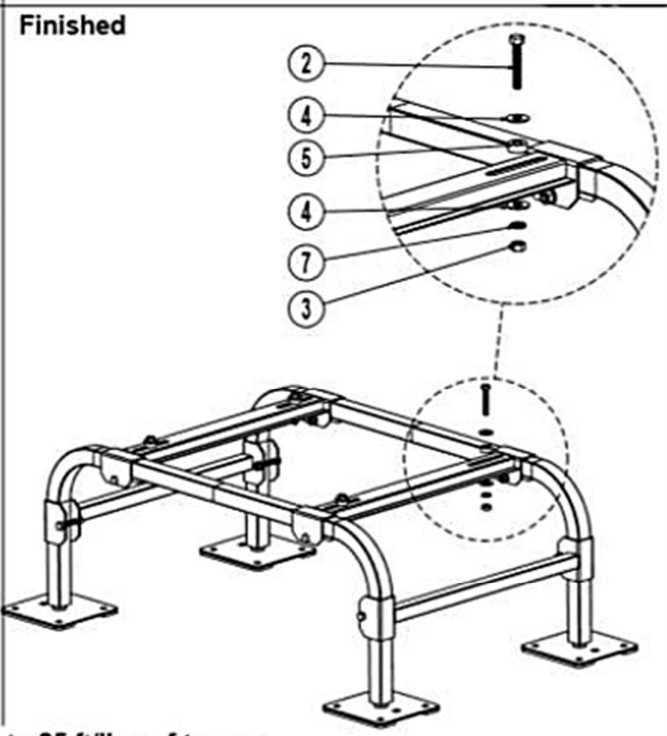
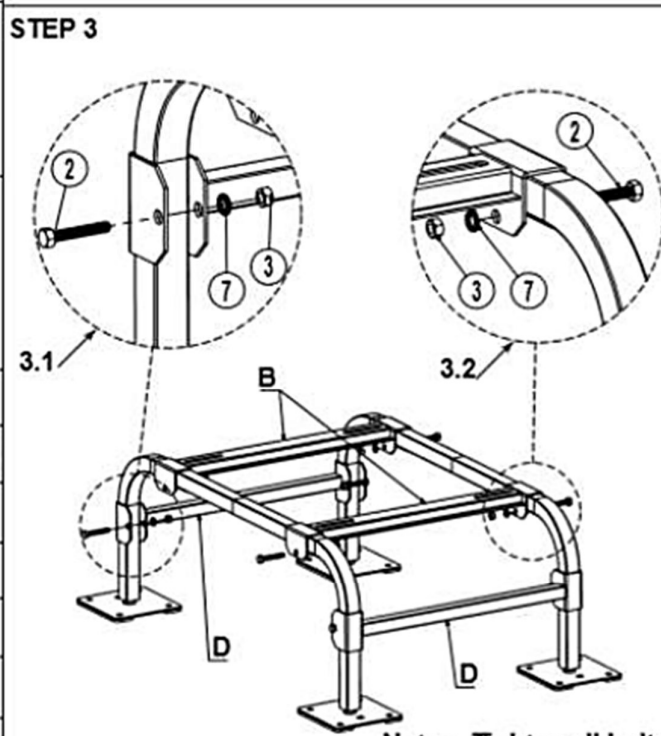
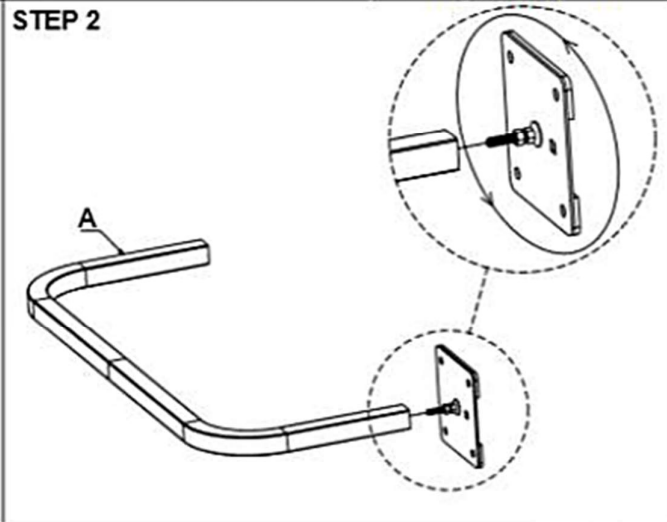
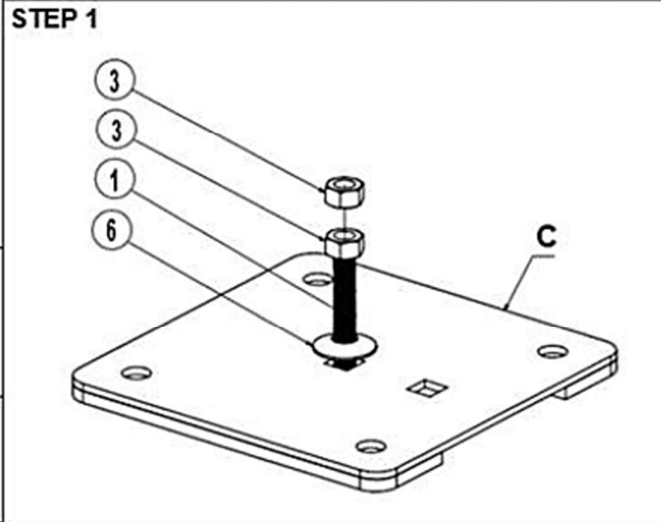
DWG. NO:
 MINI SPLIT STAND -1802
 IBEX 1802

ASSEMBLY INSTRUCTION

Model: 1801 , 1802, 2401, 2402



1	Carriage bolt M10x50		x4
2	Hex bolt M10x50		x12
3	Nut		x20
4	Washer M10		x8
5	Rubber washer		x4
6	Rubber bonded washer M10		x4
7	Lock washer		x12



Note : Tighten all bolts to 85 ft/lbs. of torque