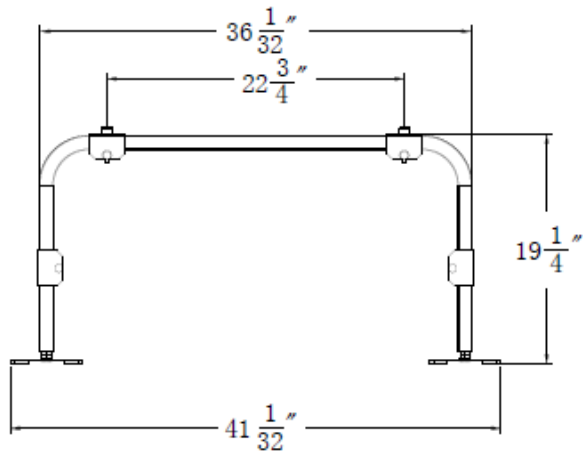
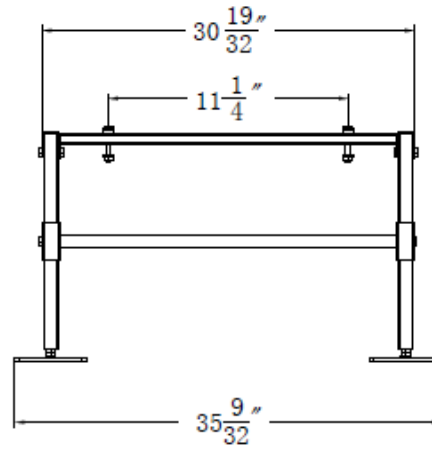


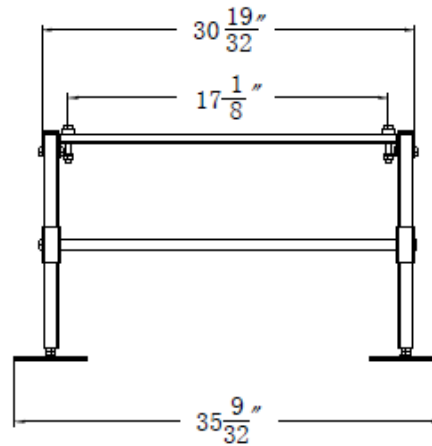
SIDE VIEW RETRACTED



SIDE VIEW EXPANDED



END VIEW RETRACTED

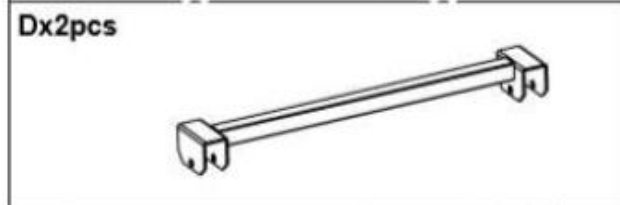
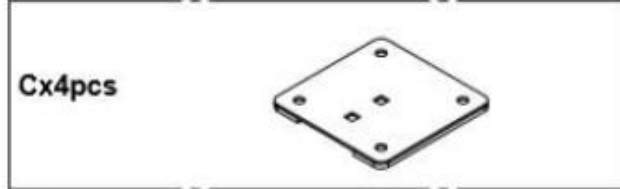
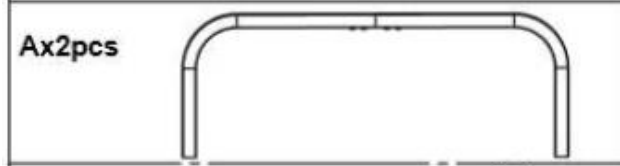
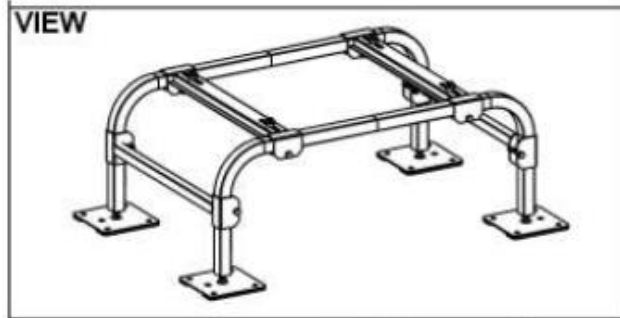


END VIEW EXPANDED

(*)- WIDTH IS ADJUSTABLE IN 1" INCREMENTS

IMPORTANT NOTE: THE INSTALLER IS RESPONSIBLE FOR TETHERING AND BOLTING UNITS TO WITHSTAND WIND AND/OR SEISMIC LOADS.

<p>UNLESS OTHERWISE SPECIFIED: DIMENSIONS ARE IN INCHES (MILLIMETERS) TOLERANCES ARE ANGLES ±1.0° FRACTIONAL SIZES X/4 TO 1/16 INCHES (MILLIMETERS) XX ±0.01 [X ±0.25] XXX ±0.005 [X ±0.125] ANGLES</p>		<p>DWG. NO: MINI SPLIT STAND -1802AL IBEX 1802AL</p>
---	---	--

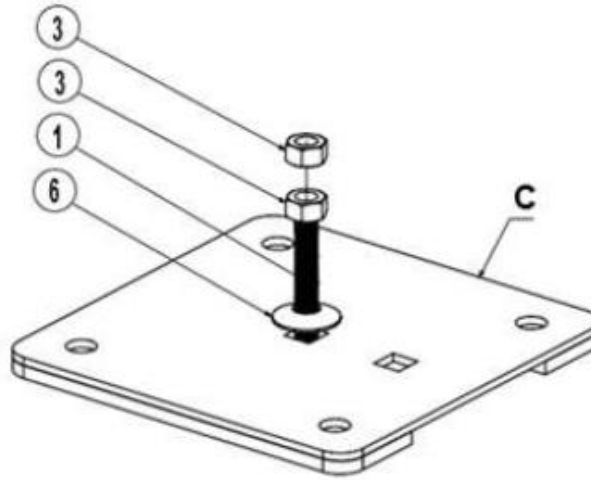


1	Carriage bolt M10x50		x4
2	Hex bolt M10x50		x12
3	Nut		x20
4	Washer M10		x8
5	Rubber washer		x4
6	Rubber bonded washer M10		x4
7	Lock washer		x12

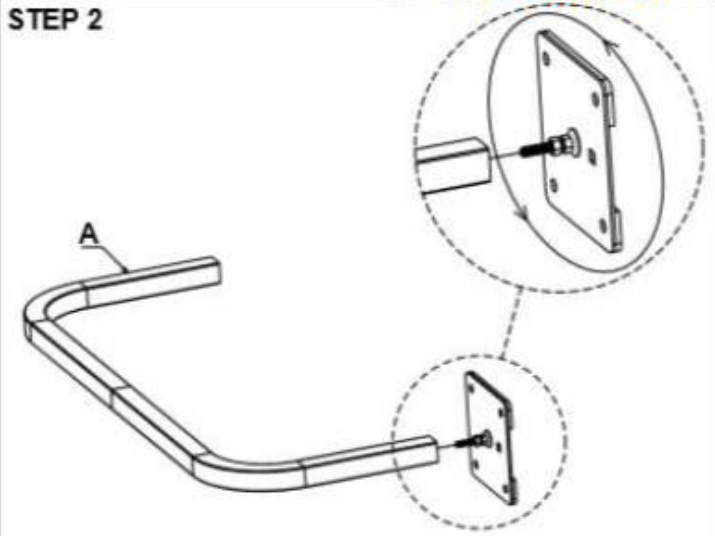
ASSEMBLY INSTRUCTION

Model: 1801 , 1802, 2401, 2402

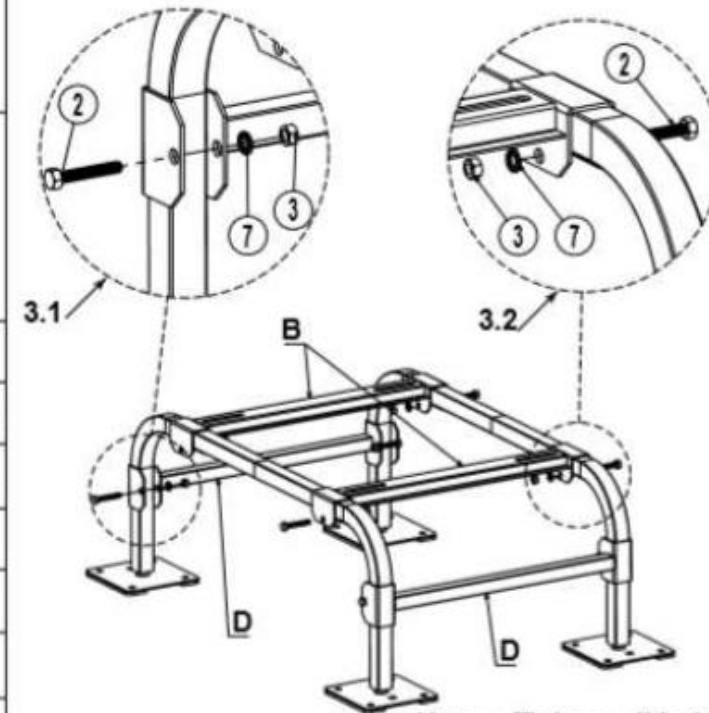
STEP 1



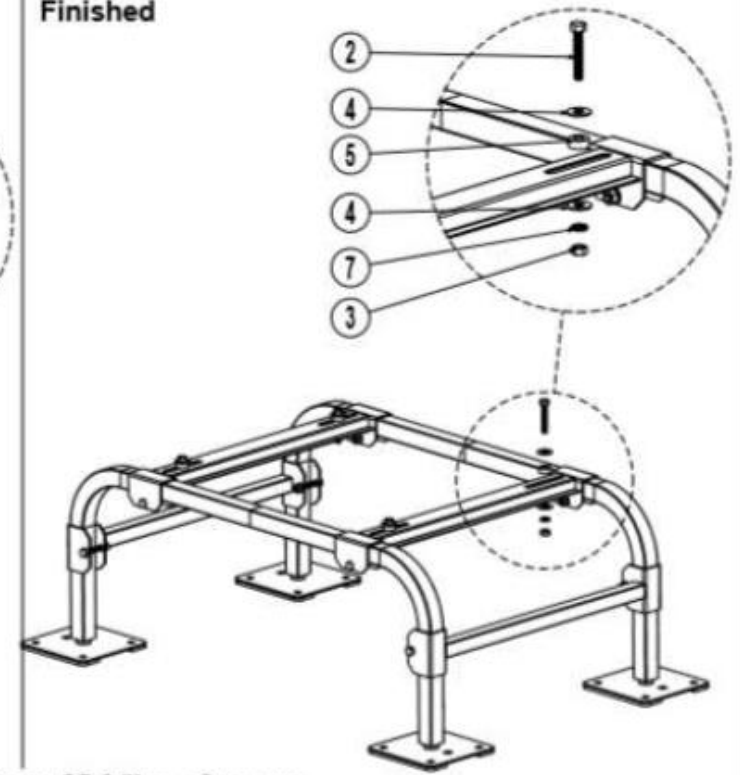
STEP 2



STEP 3



Finished



Note : Tighten all bolts to 85 ft/lbs. of torque