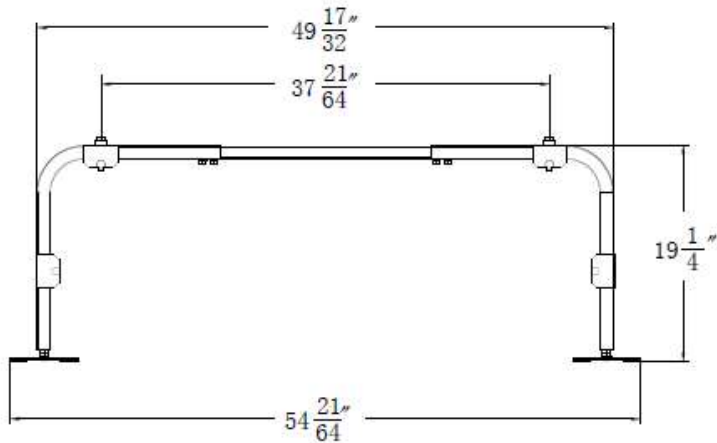
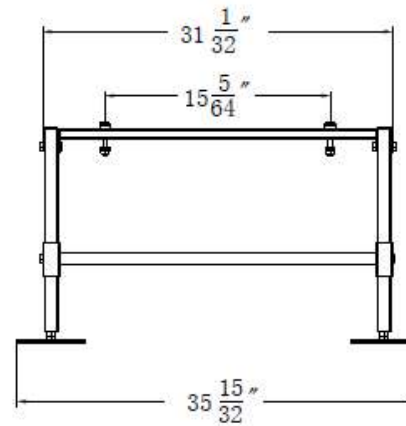


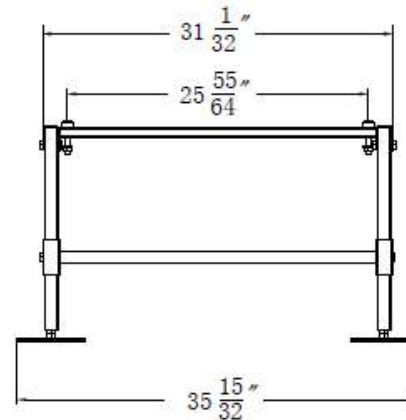
**SIDE VIEW RETRACTED**



**SIDE VIEW EXPANDED**



**END VIEW RETRACTED**



**END VIEW EXPANDED**

(\*)- WIDTH IS ADJUSTABLE IN 1" INCREMENTS

IMPORTANT NOTE: THE INSTALLER IS RESPONSIBLE FOR THETHERING AND BOLTING UNITS TO WITHSTAND WIND AND/OR SEISMIC LOADS.

UNLESS OTHERWISE SPECIFIED:  
 DIMENSIONS ARE IN INCHES (MILLIMETERS)  
 TOLERANCES ARE ANGLES ±1 D°  
 FRACTIONAL SIZES XXV ±.004  
 INCHES (MILLIMETERS)  
 X = ±.01 [X = ±.25]  
 XX = ±.001 [X = ±.13]



DWG. NO.:

MINI SPLIT STAND -1804

IBEX 1804

## ASSEMBLY INSTRUCTION

Model: 1804, 2404

VIEW



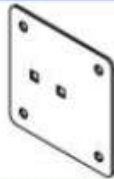
Ax2pcs



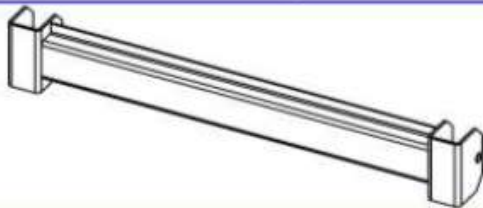
Bx2pcs



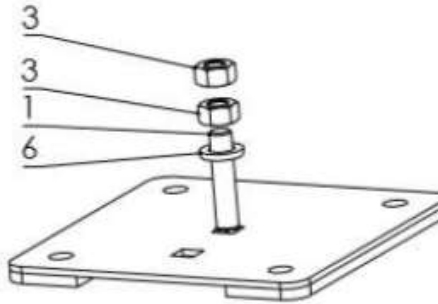
Cx4pcs



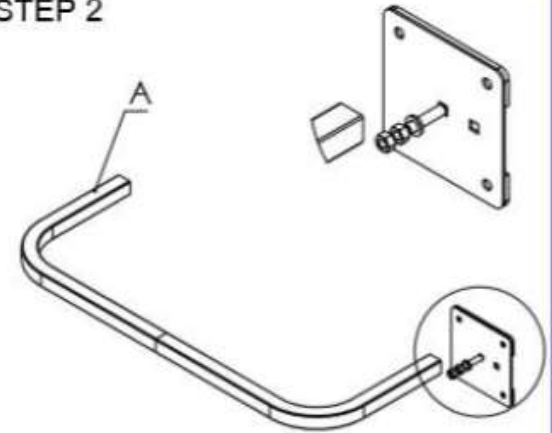
Dx2pcs



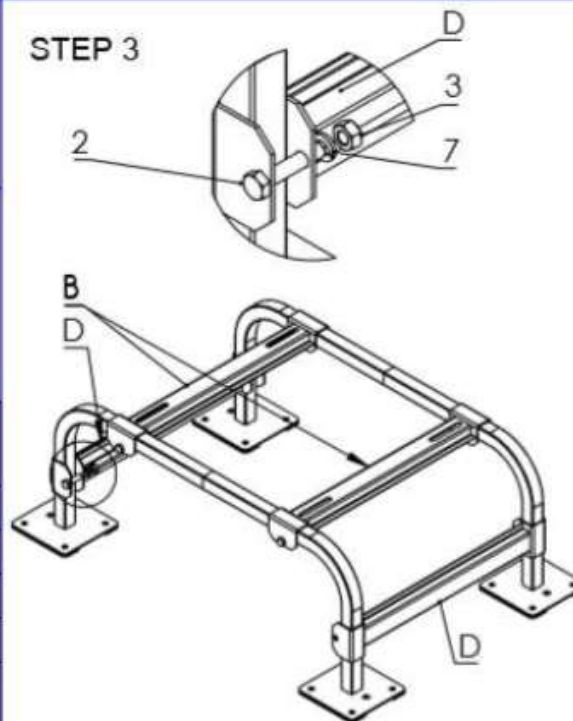
STEP 1



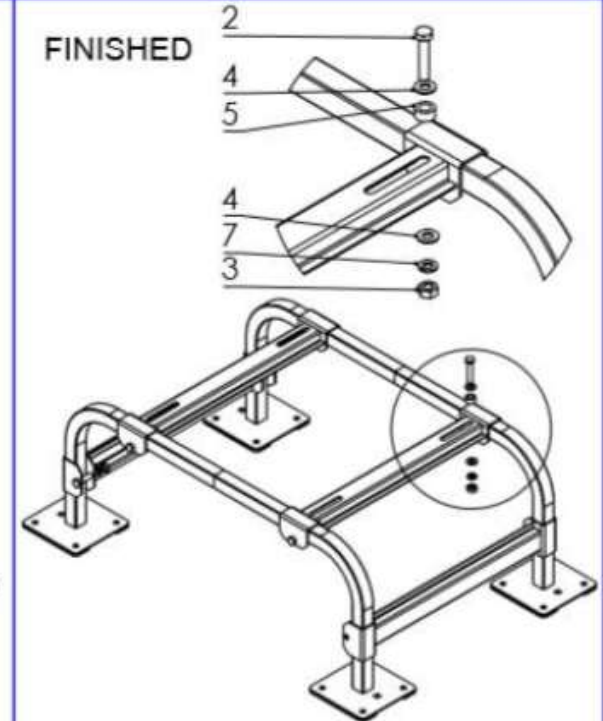
STEP 2



STEP 3



FINISHED



1	Carriage bolt M10x50	x4
2	Hex bolt M10x50	x12
3	Nut	x20
4	Washer M10	x8
5	Rubber Washer	x4
6	Rubber bonded washer M10	x4
7	Lock washer M10	x12